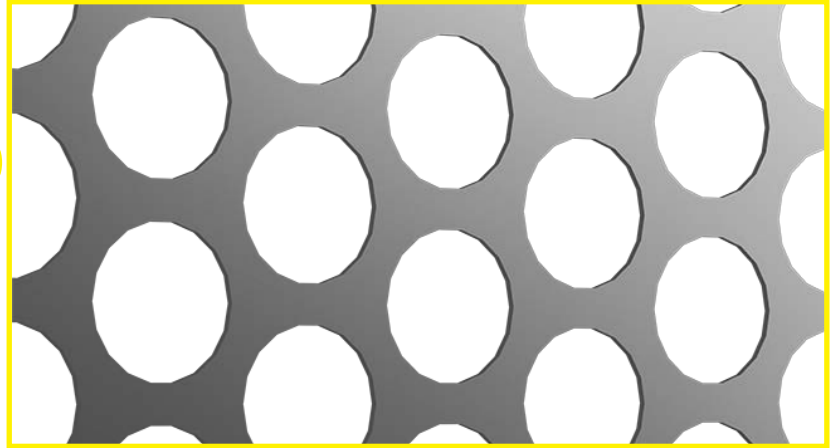




PERFTEC R40T50

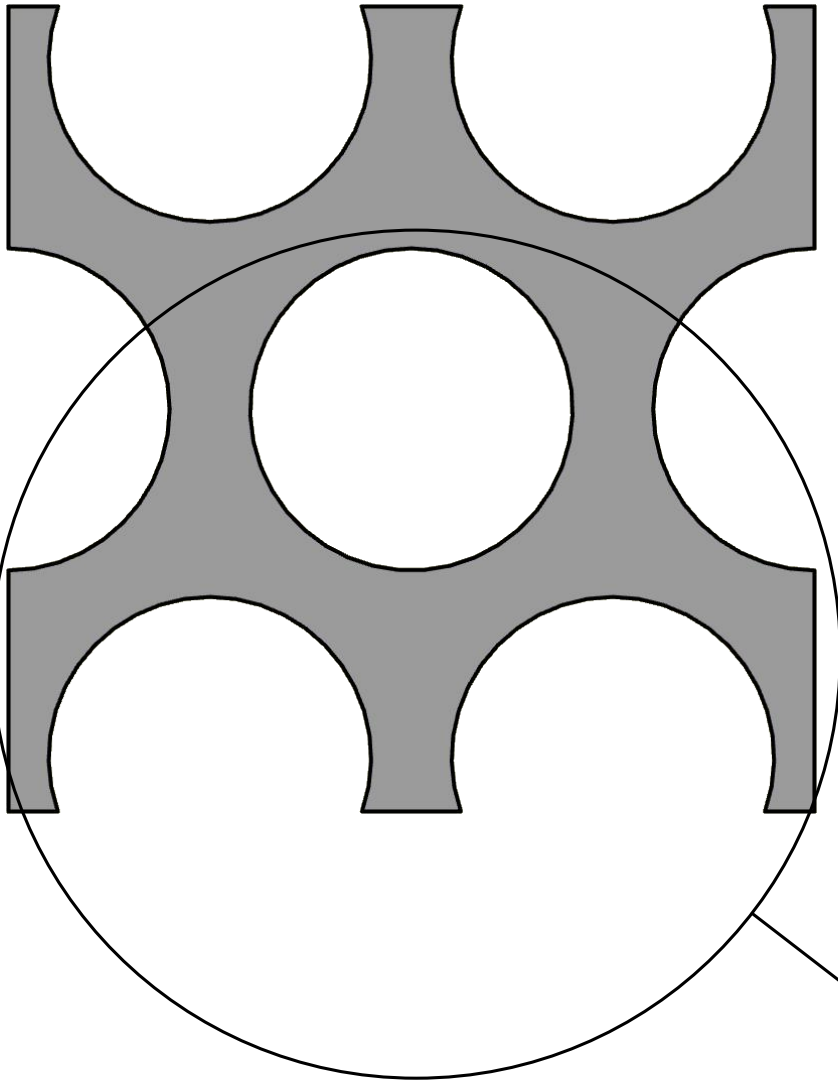
The Perftec range offers a wide array of holes and patterns punched into metal sheets. A large variety of metals and finishes enables designers and architects the chance to offer bespoke form and function combined with transparency, airflow and easy installation.



PROPERTIES:

Type:	Perftec
Holes:	R40T50
Material:	Aluminium, Stainless Steel, Mild Steel, Yellow Metals
Thickness:	1mm-5mm
Open Area:	58%
Standard Panel Sizes:	1000mm x 2000mm 1250mm x 2500mm 1500mm x 3000mm
Finishes:	Mill, Anodised (Aluminium), Powder coated, Galvanised

DIMENSIONS:



r = Hole Size (mm)
t = Pitch (mm)

